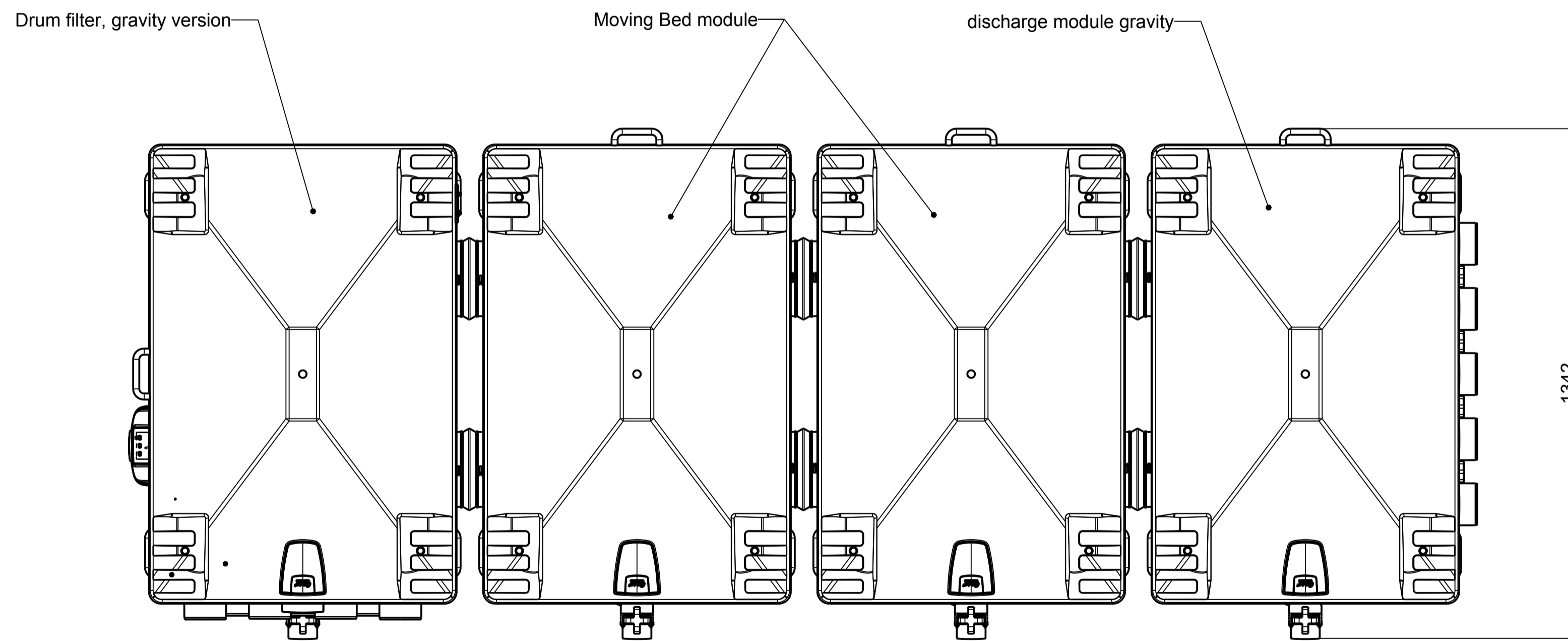
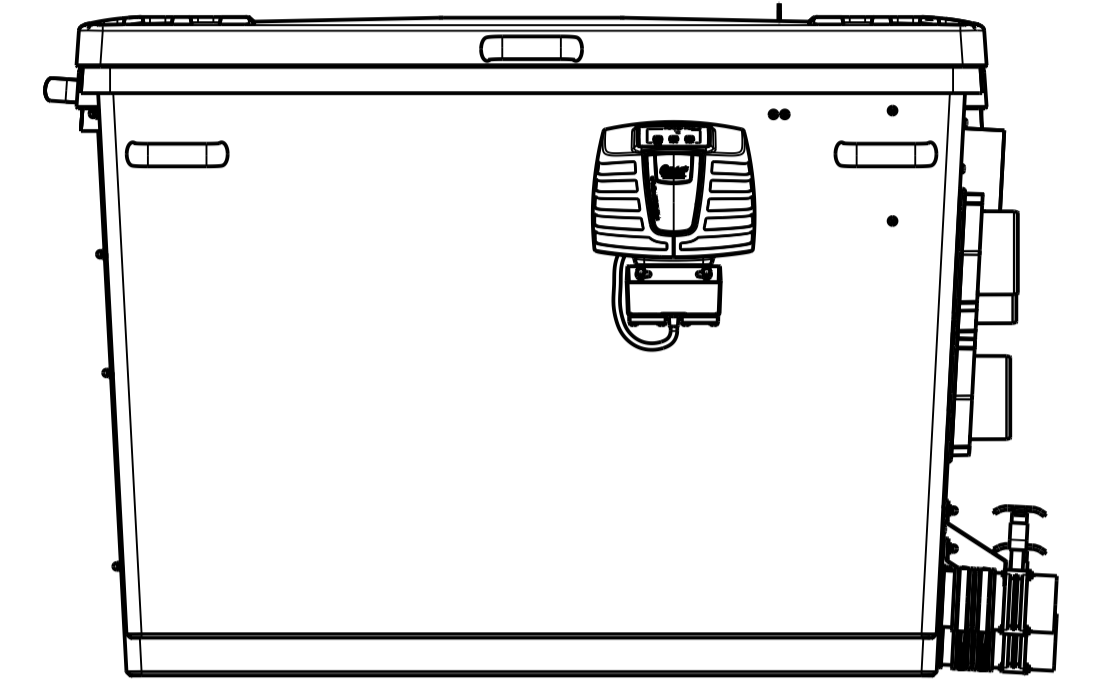
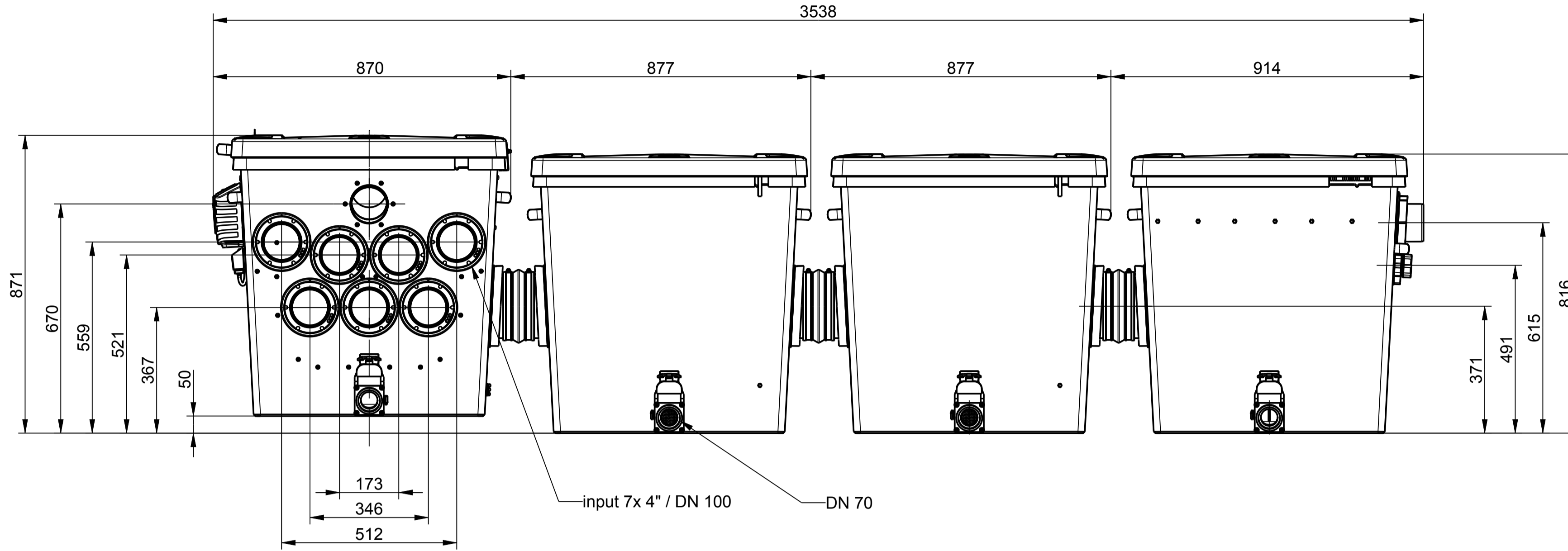
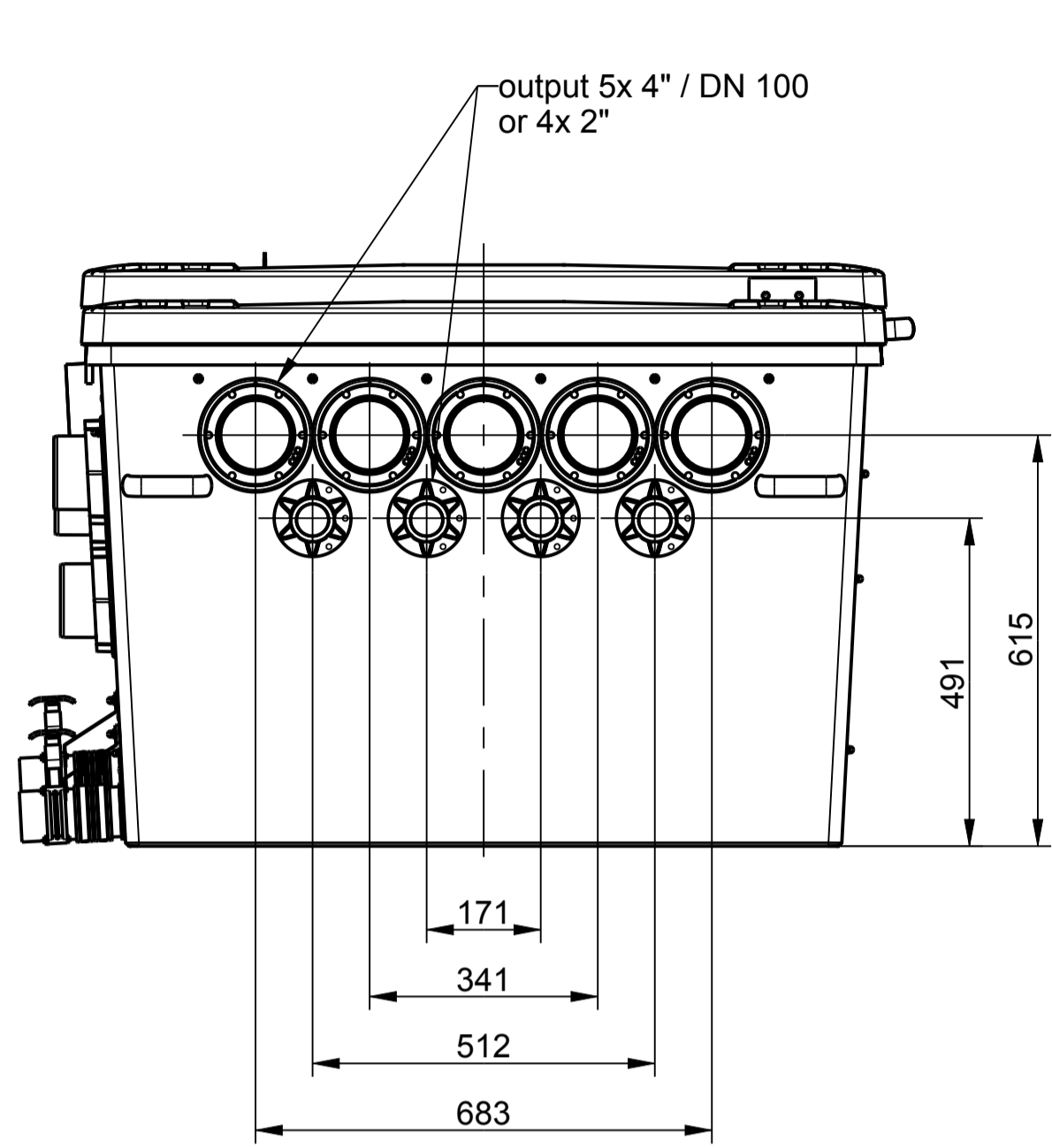


Arithmetical CAD weight: 1900960251730 gr		COPYRIGHT ACCORDING TO DIN 5450 1016	
Arithmetical CAD volume: 520298691 mm <sup>3</sup>			
<b>OASE GmbH</b> Tecklenburger Str.161 48477 Hörstel, Germany Tel.: +49(0)5454/80-0		General tolerance to standard  Projection	Scale: 1:10 Material: conform to RoHS
Agent	Date	Name	
Checked			
Norm			
Material/Ident.No.		Version:	SAP Document number (DIS):
			Page 1
			2 Page
Vers.	Revision	Date	Name
			Creo Parametric Format: A1



Arithmetical CAD weight: 1900960251730 gr Arithmetical CAD volume: 520298691 mm <sup>3</sup>		COPYRIGHT ACCORDING TO DIN 3450 1016	
<b>OASE GmbH</b> Tecklenburger Str.161 48477 Hörstel, Germany Tel.: +49(0)5454/80-0		General tolerance to standard 	Scale: 1:10 Material: conform to RoHS
Agent	Date	Name	SAP Document number (DIS):
Checked			
Norm			
Material/Ident.No.		Version:	Page 2
			2 Page
Vers.	Revision	Date	Creo Parametric Format: A1